

**Compact terminal unit
for the escape door and emergency exit door**

SERIES

M-BG-II



The MBG-II control unit for security exits and doors in escape routes comply with the required safety and are tested and approved accordingly.

Mec@Fire offers electromagnetic solutions based on holding power.

The electromagnetic door locking mechanisms are preferred when concealed installation is necessary or expedient.

The electromagnetic lock is selected in accordance with the utilisation and local circumstances.

OPTIONALS:

- 9V – 120mA/h internal battery supplying audio-visual indication elements when lock command line drops (during 1h 30 min) Battery charger is included into standard device.
- Protective glass
- Self-protection contact

STANDARD FEATURE

MBG-II compact terminal unit can provide an effective stand-alone solution for the escape door and emergency exit doors.

MEC@ Fire has developed a MBG-II control unit for an stand-alone control an easy installation and mounting costs to a minimum.

This Compact systems for a single-leaf door is a combination of MBG-II control unit and door electromagnetic lock.

TECHNICAL SPECIFICATIONS

- Connection to fire alarm system
- Power supply by fire detection equipment control line (24Vdc or 48 Vdc)
- Two-way two-position push button with internal light

OPENING DOOR TIME DELAY

- Programmable opening door time delay (0 sec or 8 sec or 40 sec) after push button or input alarm activations.

AUXILIARY INPUT ALARM LINE

- Controlled input alarms (4,7 K ohms) for local alarms like break glass call point or push bar

AUXILIARY ACCESS CONTROL INPUT

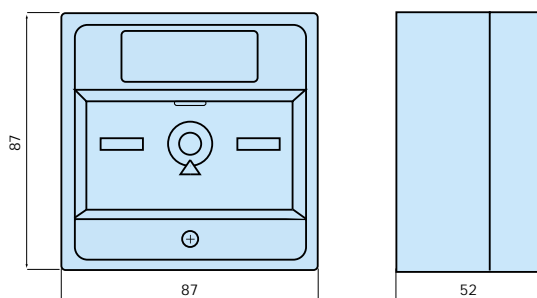
- Pulse mode
- Unlock door by access control without signalling alarm open door immediately is possible. Opening door must be done into the programmable time delay (10 sec or 30 sec)
- Bi-stable mode – lock position follows input state
- Exceeding door opening time is signalled by audio indication and in alarm output line for the burglary alarm system.

- Internal beeper 93db at 10cm.
- Auxiliary alarm output (NO or NC) for local or centralized burglary alarm system
- Visual indication by multicolour LED's:
 - RED door locked
 - GREEN door unlocked
 - ORANGE fault
- Reset and door locking using magnetic key

TECHNICAL DATA

Power supply voltage	24 V dc
Power Consumption	70 ma with 24 V dc supply
Total power consumption 70 ma with 24 V dc supply plus electromagnetic lock power consumption	
Protection grade	IP 42
Rated breaking power	3 A
Dimensions	(L x H x P) 87 x 87 x 52 mm.
Box container	ABS GREEN

TECHNICAL DIMENSIONS



**Compact terminal unit
for the escape door and emergency exit door**

SERIES **M-BG-II**

OPERATION

Door position control
Door fault: beeper sounds every two seconds
And right LED lights orange

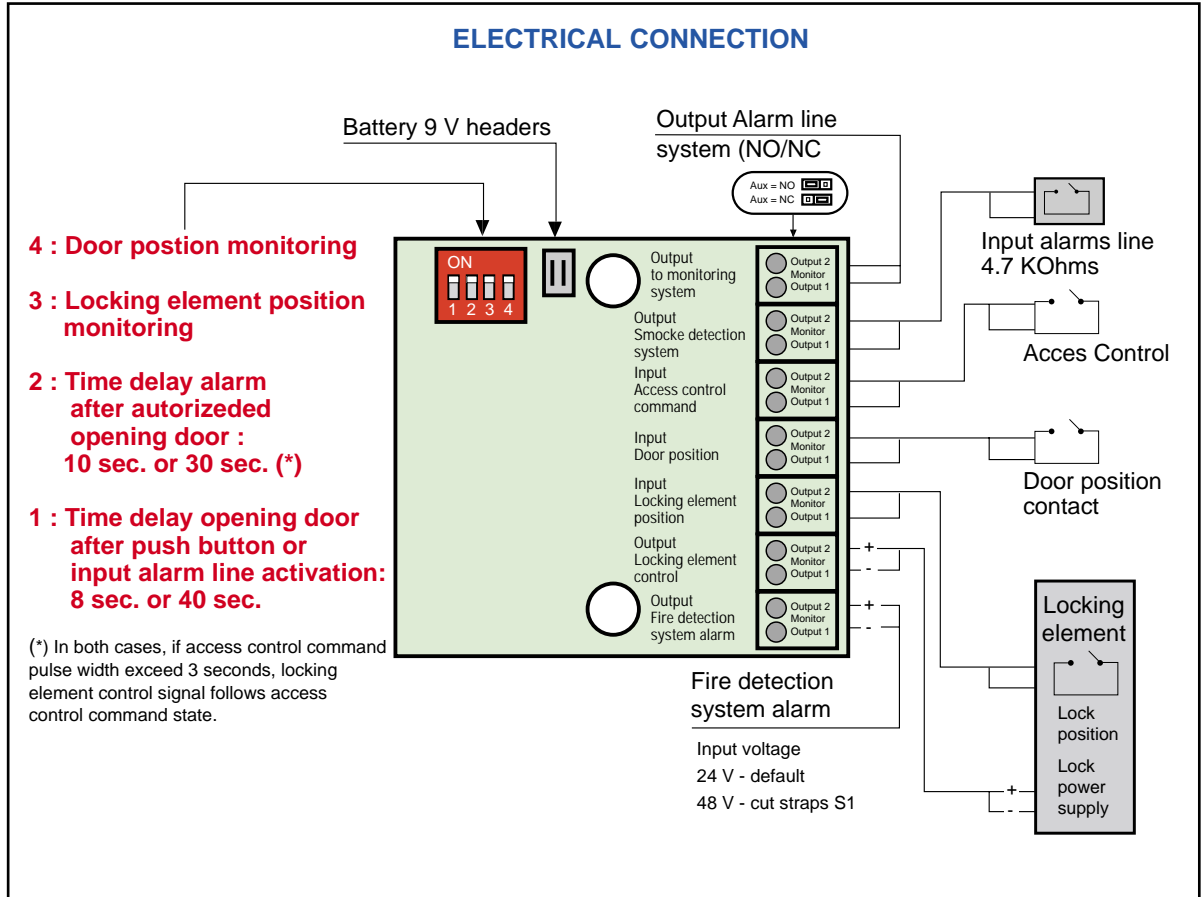
Lock position control
Lock fault: beeper sounds every two seconds and right LED lights orange

Door unlocked
Correct: two LED's light green
Fault: left led light green and right LED light orange

Door locked
Correct: two LED light red
Fault : left LED lights red and right LED lights orange

Push button activated
Push button internal light is off

Indications for remote supervision system
Door position fault, lock fault, button fault



MOUNTING EXEMPLE

