

**Electromagnetic DOOR HOLDERS**  
**Steel box press-tubes PG 11**  
**with release button - surface mounting**

SERIES **M 6200**  
**M 6400**



**STANDARD FEATURE**

Both models M 6200 and M 6400 of electromagnetic door holders for fire proof doors are in a steel box, have a spring loaded device to eliminate the residual magnetism, release button and two plastic press-tubes PG 11 on the top.

The M 6200 and M 6400 are also with two different specifications:

**. Series M 6200 D and M 6400 D**

Including the PCB circuit with protection diode and two electrical terminal connections.

**. Series M 6200 A and M 6400 A**

Including the PCB circuit with the monitoring state of the fire proof door and electrical terminal connection.

Both M 6200 and M 6400 electromagnetic door holders can be suited for INDUSTRIAL type of fire system protection.

Product individually packed with fitting instructions and white galvanised steel amortized flat or swivel keeper plate.

**TECHNICAL SPECIFICATIONS**

**Holding force**

SERIES M 6200 20 daN

SERIES M 6400 40 daN

**Voltage**

Available versions : 24 Vdc or 48 Vdc

**Nominal power at 20°C**

SERIES M 6200 0.6 watt

SERIES M 6400 1,6 watt

**Electrical Protection class**

III

**Protection rating**

IP 42 - EN 60529

**Electrical connection**

Terminal board

**Box colour**

Grey RAL 9002 painted steel

Door holders are generally linked to a fire system and that will automatically release the doors in case of fire by switching the power off. If required, it can be also manually operated by the release button.

**IN CONFORMITY WITH THE :**

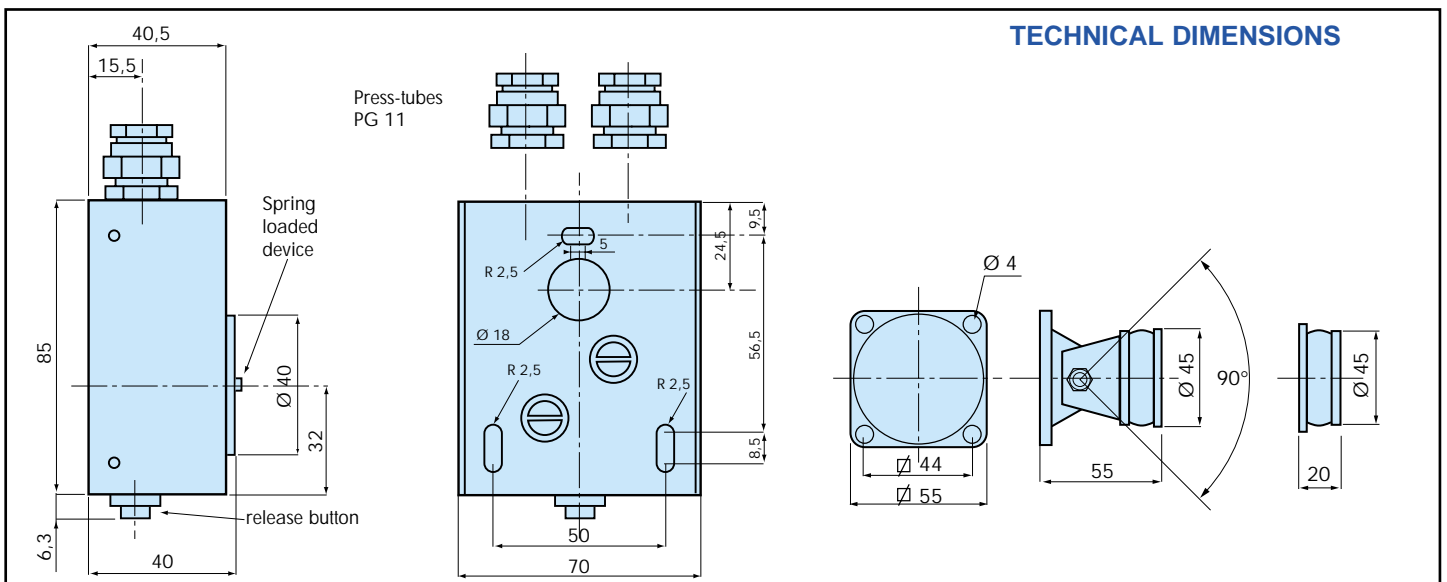
EN 1155

BS 5839 part 3

**ACCESSORIES :**

- **AC 912ME51** Universal mounting bracket length 150mm to mount the door holder in a "wall" or "floor" position, allows the passage of power cables. Body in grey RAL 9002 painted steel.

- **AC 912ME52** Universal mounting bracket length 250mm to mount the door holder in a "wall" or "floor" position, allows the passage of power cables. Body in grey RAL 9002 painted steel.



**TECHNICAL DIMENSIONS**

**Electromagnetic DOOR HOLDERS**  
**Steel box press-tubes PG 11**  
**with release button - surface mounting**

SERIES **M 6200**  
**M 6400**

ITEMS	Holding force	Voltage	Release button	PCB DIODE	Monitoring fire door position	Press tubes PG 11	Keeper plate
-------	---------------	---------	----------------	-----------	-------------------------------	-------------------	--------------

**SERIES 6200**

M 6211	20 daN	24 Vdc	YES	NO	NO	YES	SWIVEL
M 6221	20 daN	48 Vdc	YES	NO	NO	YES	SWIVEL
M 6211 D	20 daN	24 Vdc	YES	YES	NO	YES	SWIVEL
M 6221 D	20 daN	48 Vdc	YES	YES	NO	YES	SWIVEL
M 6211 A	20 daN	24 Vdc	YES	NO	YES	YES	SWIVEL
M 6221 A	20 daN	48 Vdc	YES	NO	YES	YES	SWIVEL
M 6212	20 daN	24 Vdc	YES	NO	NO	YES	FLAT
M 6222	20 daN	48 Vdc	YES	NO	NO	YES	FLAT
M 6212 D	20 daN	24 Vdc	YES	YES	NO	YES	FLAT
M 6222 D	20 daN	48 Vdc	YES	YES	NO	YES	FLAT
M 6212 A	20 daN	24 Vdc	YES	NO	YES	YES	FLAT
M 6222 A	20 daN	48 Vdc	YES	NO	YES	YES	FLAT

**SERIES 6400**

M 6411	40 daN	24 Vdc	YES	NO	NO	YES	SWIVEL
M 6421	40 daN	48 Vdc	YES	NO	NO	YES	SWIVEL
M 6411 D	40 daN	24 Vdc	YES	YES	NO	YES	SWIVEL
M 6421 D	40 daN	48 Vdc	YES	YES	NO	YES	SWIVEL
M 6411 A	40 daN	24 Vdc	YES	NO	YES	YES	SWIVEL
M 6421 A	40 daN	48 Vdc	YES	NO	YES	YES	SWIVEL
M 6412	40 daN	24 Vdc	YES	NO	NO	YES	FLAT
M 6422	40 daN	48 Vdc	YES	NO	NO	YES	FLAT
M 6412 D	40 daN	24 Vdc	YES	YES	NO	YES	FLAT
M 6422 D	40 daN	48 Vdc	YES	YES	NO	YES	FLAT
M 6412 A	40 daN	24 Vdc	YES	NO	YES	YES	FLAT
M 6422 A	40 daN	48 Vdc	YES	NO	YES	YES	FLAT

**MOUNTING EXEMPLE**

