

Electromagnetic DOOR HOLDERS
Steel box pass-cables 20,5 mm
with release button - surface mounting



SERIES

M 7200
M 7400



STANDARD FEATURE

Both models M 7200 and M 7400 of electromagnetic door holders for fire proof doors are in a steel box construction, have a spring loaded device to eliminate the residual magnetism, release button and two plastic press-cables diameter 20.5 mm on the top.

The M 7200 and M 7400 are also available with two different standard specifications:

. Series M 7200 D and M 7400 D

Including the PCB circuit with protection diode and two electrical terminal connections.

. Series M 7200 A and M 7400 A

Including the PCB circuit with the monitoring state of the fire proof door and electrical terminal connection.

Both M 7200 and M 7400 electromagnetic door holders can be suited for INDUSTRIAL type of fire system protection.

Product individually packed with fitting instructions and white galvanised steel amortized flat or swivel keeper plate.

Door holders are generally linked to a fire system and that will automatically release the doors in case of fire by switching the power off. If required, it can be also manually operated by the release button.

IN CONFORMITY WITH THE :
EN 1155
BS 5839 part 3

ATTENTION!

115 or 240 Vac units are insulation **class I** and the earth lead must be wired between the earth connector and the earth terminal on the metal mounting box.

TECHNICAL SPECIFICATIONS

Holding force

SERIES M 7200	20 daN
SERIES M 7400	40 daN

Voltage

Available versions :	24 Vdc or 48 Vdc
	115 Vac or 240 Vac

Nominal power at 20°C

SERIES M 7200	0.6 watt
SERIES M 7400	1,6 watt

Electrical Protection class

III for 24 or 48Vdc/ I for 115 and 240 Vac

Protection rating

IP 42 - EN 60529

Electrical connection

Terminal board

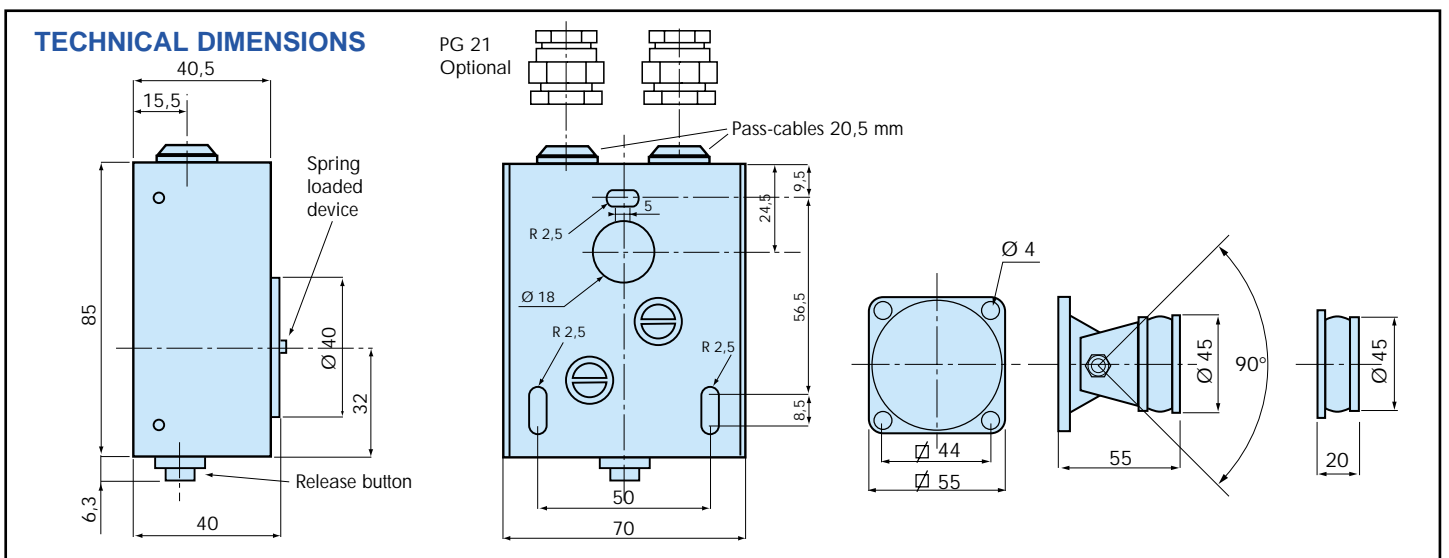
Box colour

Grey RAL 9002 painted steel

ACCESSORIES :

- **AC 912ME51** Universal mounting bracket lenght 150mm to mount the door holders in a "wall" or "floor" position, allows the passage of power cables. Body in grey RAL 9002 painted steel.

- **AC 912ME52** Universal mounting bracket lenght 250mm to mount the door holders in a "wall" or "floor" position, allows the passage of power cables. Body in grey RAL 9002 painted steel.



Electromagnetic DOOR HOLDERS

Steel box pass-cables 20,5 mm

with release button - surface mounting

SERIES **M 7200**
M 7400

ITEMS	Holding force	Voltage	Release button	PCB DIODE	Monitoring fire door position	Pass cable 20,5 mm	Keeper plate
-------	---------------	---------	----------------	-----------	-------------------------------	--------------------	--------------

SERIES 7200

M 7211	20 daN	24 Vdc	YES	NO	NO	YES	SWIVEL
M 7221	20 daN	48 Vdc	YES	NO	NO	YES	SWIVEL
M 7281	20 daN	115 Vac	YES	NO	NO	YES	SWIVEL
M 7291	20 daN	240 Vac	YES	NO	NO	YES	SWIVEL
M 7211 D	20 daN	24 Vdc	YES	YES	NO	YES	SWIVEL
M 7221 D	20 daN	48 Vdc	YES	YES	NO	YES	SWIVEL
M 7211 A	20 daN	24 Vdc	YES	NO	YES	YES	SWIVEL
M 7221 A	20 daN	48 Vdc	YES	NO	YES	YES	SWIVEL
M 7212	20 daN	24 Vdc	YES	NO	NO	YES	FLAT
M 7222	20 daN	48 Vdc	YES	NO	NO	YES	FLAT
M 7282	20 daN	115 Vac	YES	NO	NO	YES	FLAT
M 7292	20 daN	240 Vac	YES	NO	NO	YES	FLAT
M 7212 D	20 daN	24 Vdc	YES	YES	NO	YES	FLAT
M 7222 D	20 daN	48 Vdc	YES	YES	NO	YES	FLAT
M 7212 A	20 daN	24 Vdc	YES	NO	YES	YES	FLAT
M 7222 A	20 daN	48 Vdc	YES	NO	YES	YES	FLAT

SERIES 7400

M 7411	40 daN	24 Vdc	YES	NO	NO	YES	SWIVEL
M 7421	40 daN	48 Vdc	YES	NO	NO	YES	SWIVEL
M 7481	40 daN	115 Vac	YES	NO	NO	YES	SWIVEL
M 7491	40 daN	240 Vac	YES	NO	NO	YES	SWIVEL
M 7411 D	40 daN	24 Vdc	YES	YES	NO	YES	SWIVEL
M 7421 D	40 daN	48 Vdc	YES	YES	NO	YES	SWIVEL
M 7411 A	40 daN	24 Vdc	YES	NO	YES	YES	SWIVEL
M 7421 A	40 daN	48 Vdc	YES	NO	YES	YES	SWIVEL
M 7412	40 daN	24 Vdc	YES	NO	NO	YES	FLAT
M 7422	40 daN	48 Vdc	YES	NO	NO	YES	FLAT
M 7482	40 daN	115 Vac	YES	NO	NO	YES	FLAT
M 7492	40 daN	240 Vac	YES	NO	NO	YES	FLAT
M 7412 D	40 daN	24 Vdc	YES	YES	NO	YES	FLAT
M 7422 D	40 daN	48 Vdc	YES	YES	NO	YES	FLAT
M 7412 A	40 daN	24 Vdc	YES	NO	YES	YES	FLAT
M 7422 A	40 daN	48 Vdc	YES	NO	YES	YES	FLAT


Please note:

It must be possible to release a fire protection door held open by an electromagnet with a hand switch which is not hidden by the color. (not included)