

**Electromagnetic locks**  
**300 daN flush mounting - reinforced box**

SERIES **AC 930 MF**



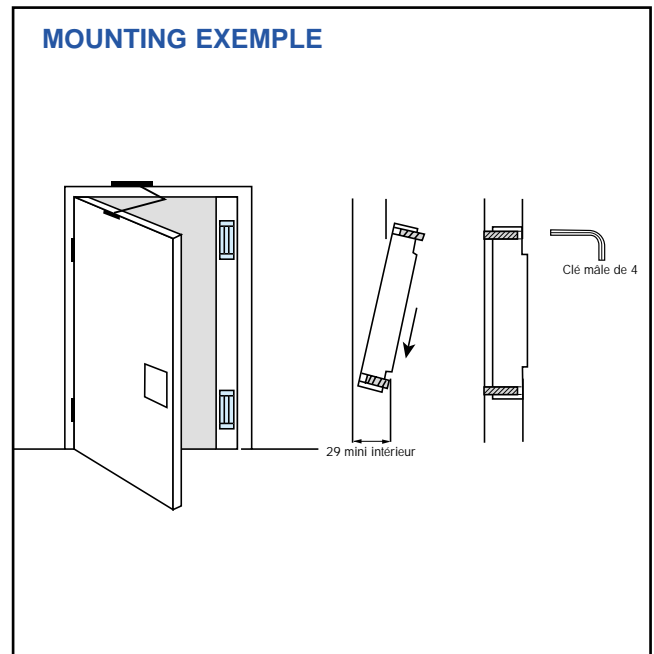
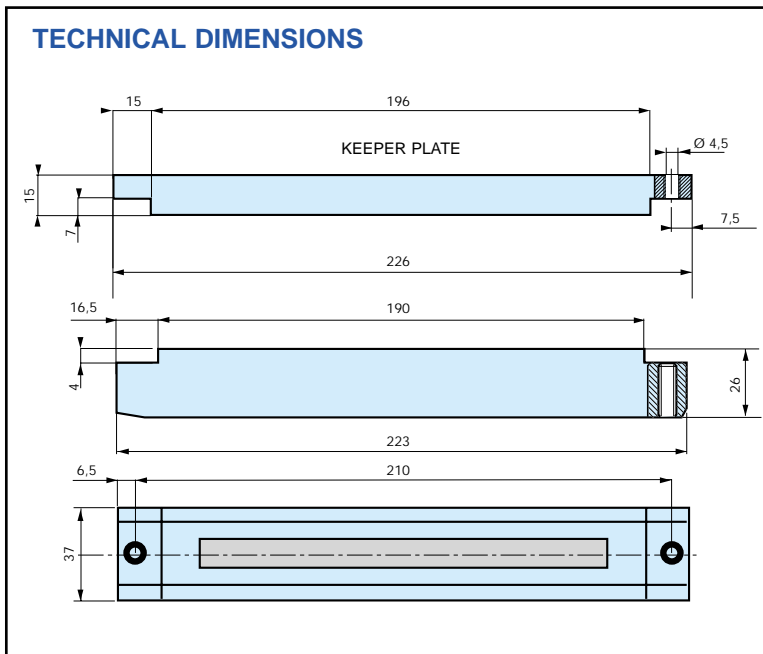
Series AC 930 electromagnetic LOCK is specially designed for use in areas of vandalism (school, colleges, public area...) or industrial area ( warehouse, exhibition centre, supermarket, hospital...).

**STANDARD FEATURE**

Fitted on the door frame, this slimline electromagnet ensures the locking of the door by means of a keeper plate.  
 Release is obtained by switching power off or with a release button, coded keypad, interphone etc...  
 Return to the locked configuration is obtained by closing the door .  
 Low residual magnetism combined with a spring loaded device built in the keeper plate ensures an immediate release of the door switching power off.  
 Electromagnet individually packed with keeper plate, screws and fitting instructions.  
 Optional: monitoring of door locked position by incorporated dry contact.

**TECHNICAL SPECIFICATIONS**

<b>Holding force</b>	300 daN
<b>Voltage available versions</b>	12Vdc/24 Vdc
<b>Nominal power at 20°C</b>	6W
<b>Protection class</b>	III
<b>Protection rating EN 60529</b>	IP 42



ITEMS	Holding Force	Voltage	Monitoring door position
AC 930 MF 01	300 daN	12 Vdc – 6 W	no
AC 930 MF 02	300 daN	24 Vdc – 6 W	no
AC 930 MF 11	300 daN	12 Vdc – 6 W	yes - with ILS - dry contact
AC 930 MF 12	300 daN	24 Vdc – 6 w	yes - with ILS - dry contact