

Electromagnetic LOCKS for escape doors - emergency exits 120-180 daN

SERIES **AC 983**
AC 993



STANDARD FEATURE

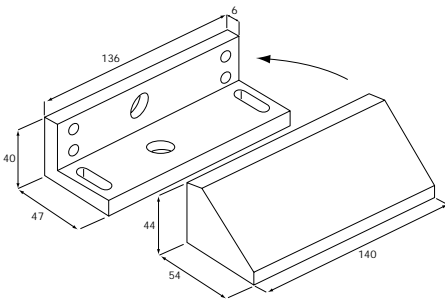
Specially designed for emergency exits, these locks are fitted on the door frame while the keeper plate is secured on the door. Release is obtained with remote electrical impulse (switching power off). Return to the hold-close configuration is obtained by bringing the door back to the initial position.

Monitoring of the locking condition is obtained by dry contact + an incorporated relay.

Local signalling by LED.

Product individually packed with its keeper plate.

ACCESSORIES AC 983 (OPTIONAL)



A release button must be fitted inside the room.
Possibility of symmetrical fitting for double doors.

L-bracket assembly kit available by request

(See Accessories).

TECHNICAL SPECIFICATIONS

Holding force

SERIES 9.83 120 daN

SERIES 9.93 180 daN

Voltage

Available versions : 12 - 24 - 48 Vdc

Nominal power at 20°C

SERIES 9.83 3 W

SERIES 9.93 3.3 W

Protection class III

Protection rating IP 42

IN CONFORMITY WITH THE :

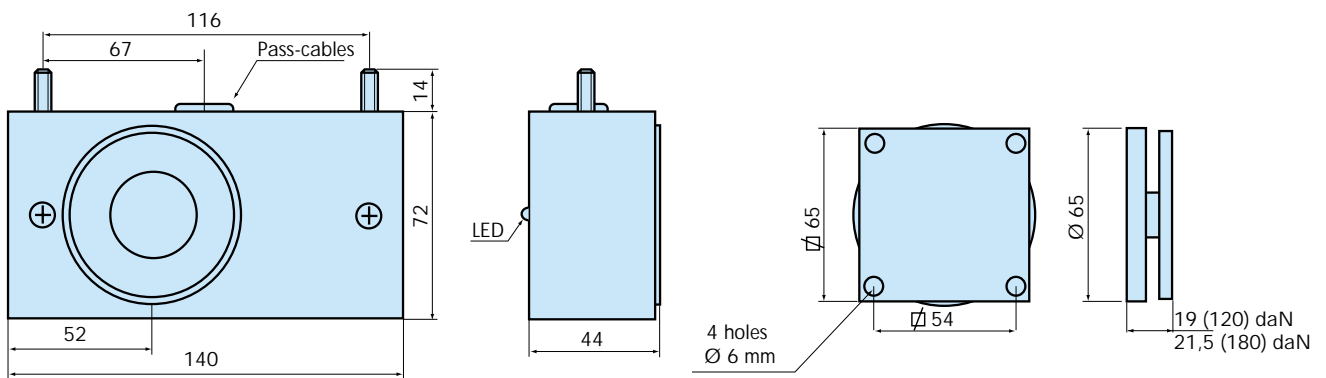
EN 1155

NFS 61937

LCPP n° 932/93

LCPP n° 1570/94

TECHNICAL DIMENSIONS



ITEMS	Holding force	Voltage	Monitoring door position	Keeper plate
SERIES AC 983				
AC 983 ME 02	120 daN	12 Vdc	YES	YES
AC 983 ME 03	120 daN	24 Vdc	YES	YES
AC 983 ME 04	120 daN	48 Vac	YES	YES
SERIES AC 993				
AC 993 ME 01	180 daN	24 Vdc	YES	YES
AC 993 ME 02	180 daN	48 Vdc	YES	YES
AC 993 ME 03	180 daN	12 Vdc	YES	YES